

альбом для зарисовок

# SKETCH BOOK

EMMA - St PETERSBURG - GROMOV'S DATCHA

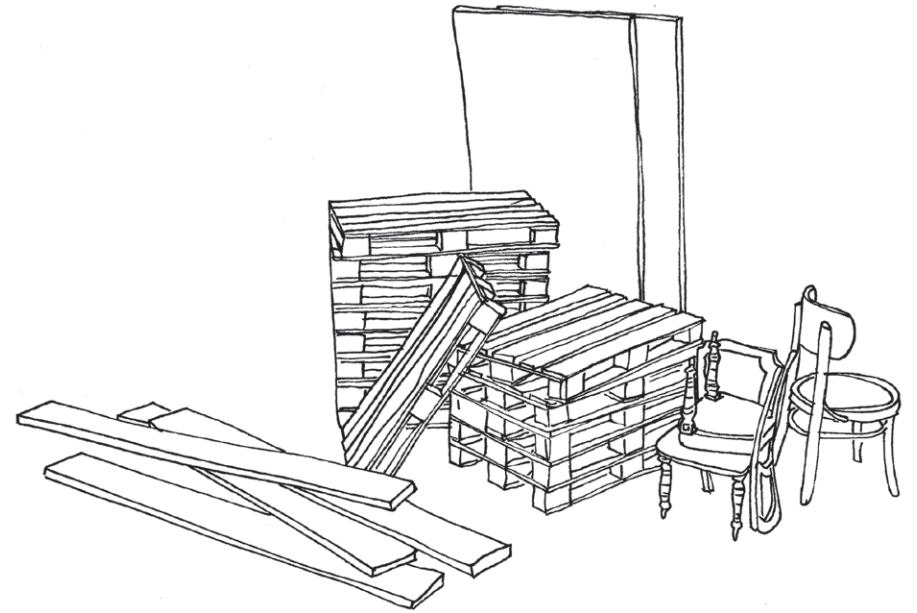
September 2015



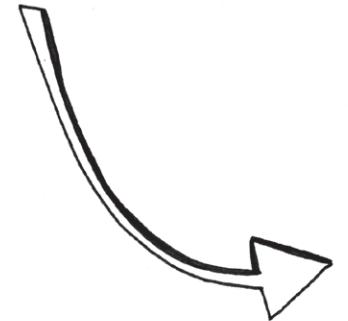
**ЭММА** CRITICAL MASS!  
Дача Громова и Лопухинский сад




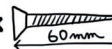
# MATERIALS

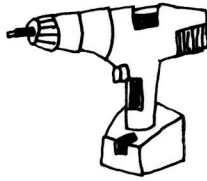


- Euro Pallets
- Old Furniture
- Boards
- Planks
- Scrap Wood



# Table

≈ 90x  45mm  
≈ 65x  60mm



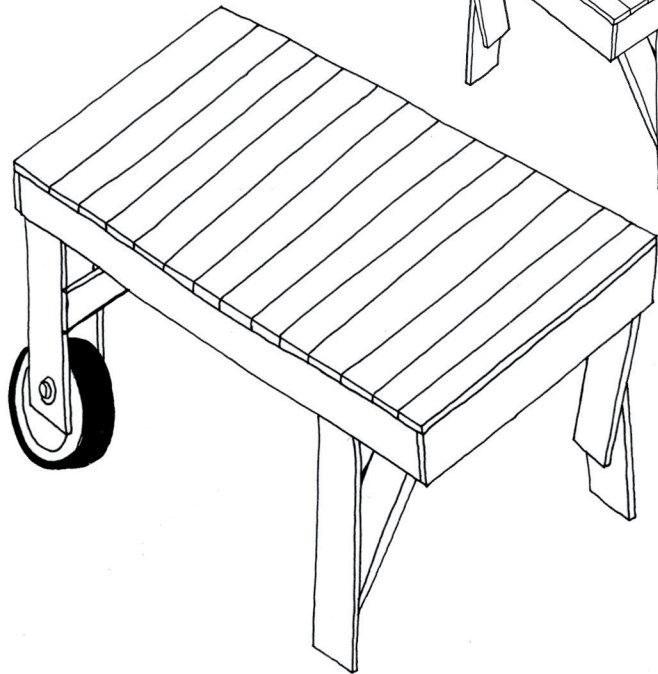
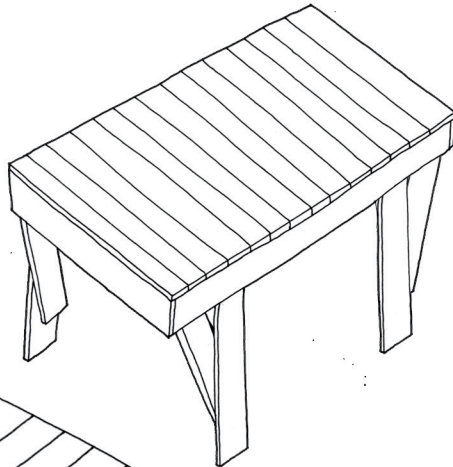
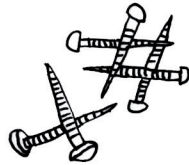
145,0 cm x 2

75,0 cm x 18

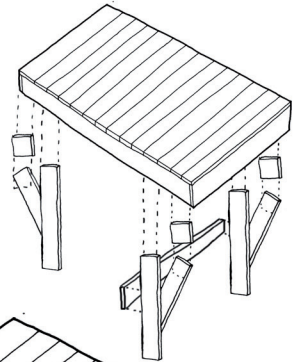
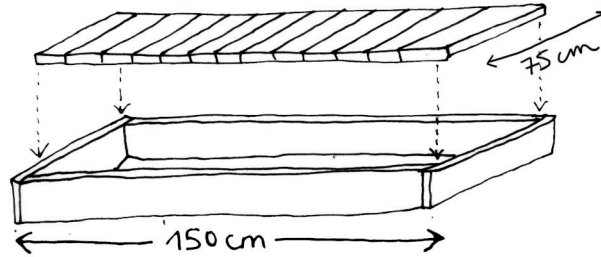
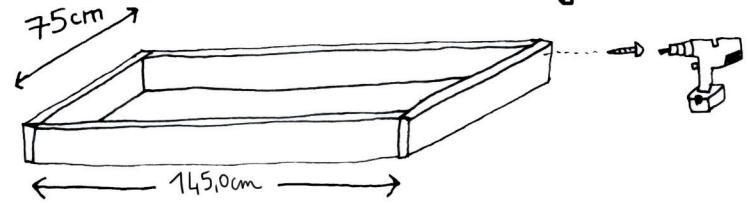
70,0 cm x 6

65,0 cm x 4

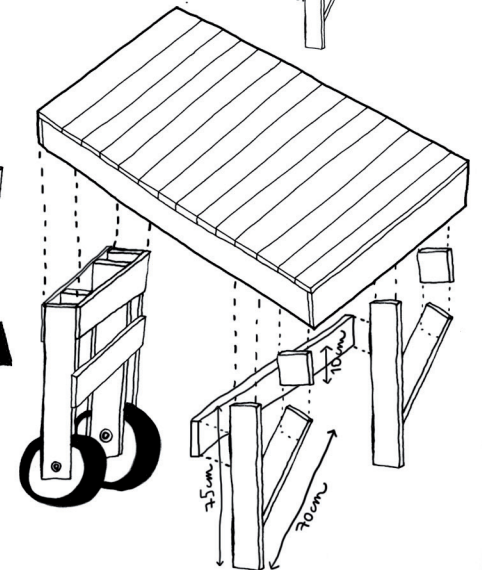
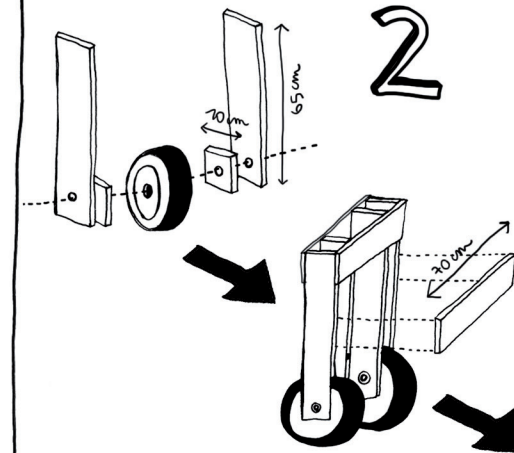
10,0 cm x 6



# 1

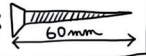


# 2



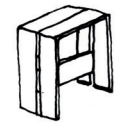


# Stool

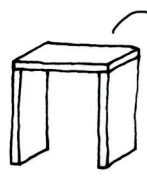
25x 



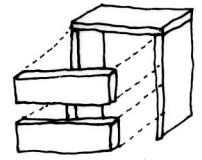
→ 45,0cm x 8



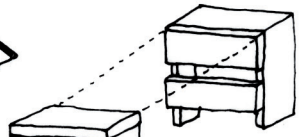
→ 30,0cm x 8



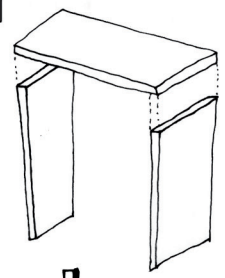
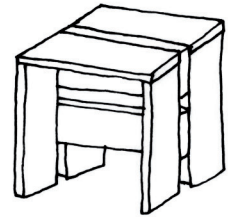
x2



2




3



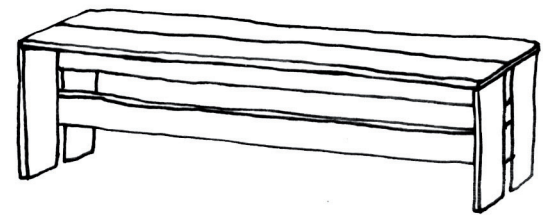
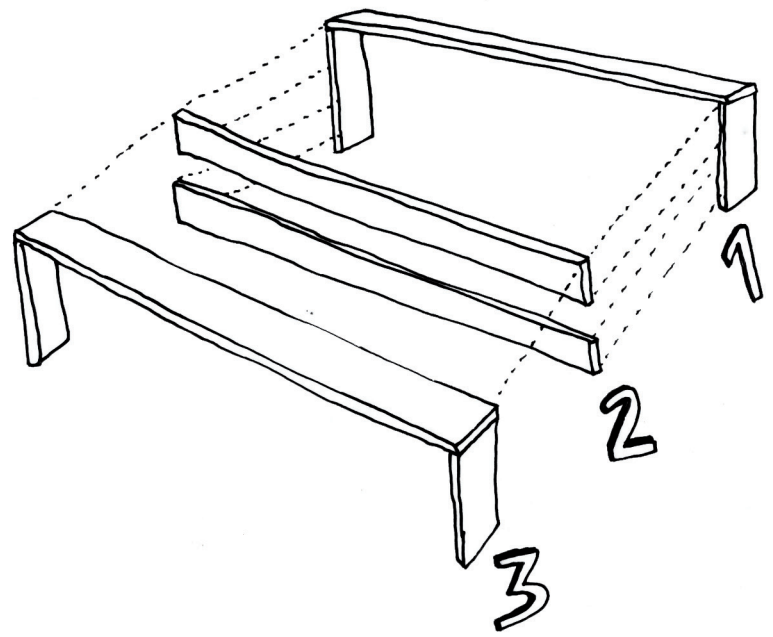
1

# Bench

35x 

45,0cm x 4

150,0cm x 4



# Games Tables

145,0cm

x2 TABLE HOCKEY

75cm

x2

32,5cm

x4

20cm

x8

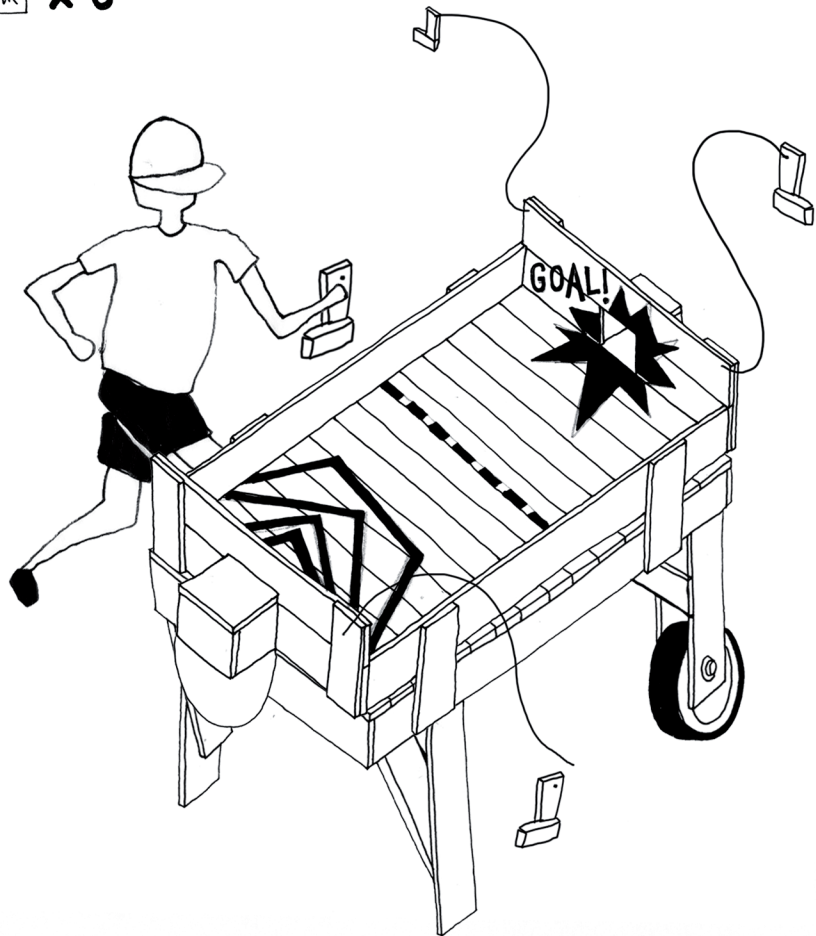
10cm

x8

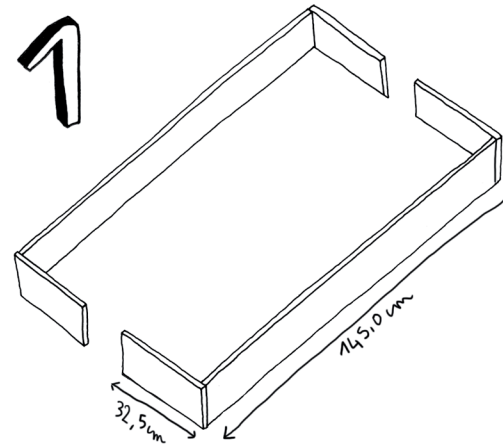
≈24 x



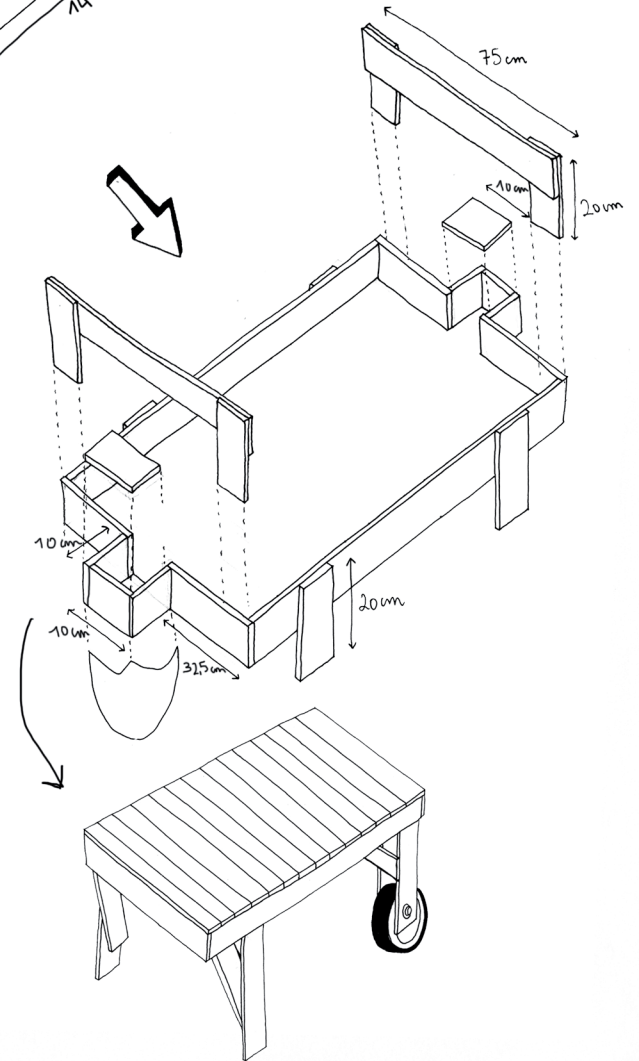
≈32 x



1



2



# Games Tables

145,0cm x4

75cm x12

70cm x6

65cm x4

55cm x1

45cm x2

35cm x3

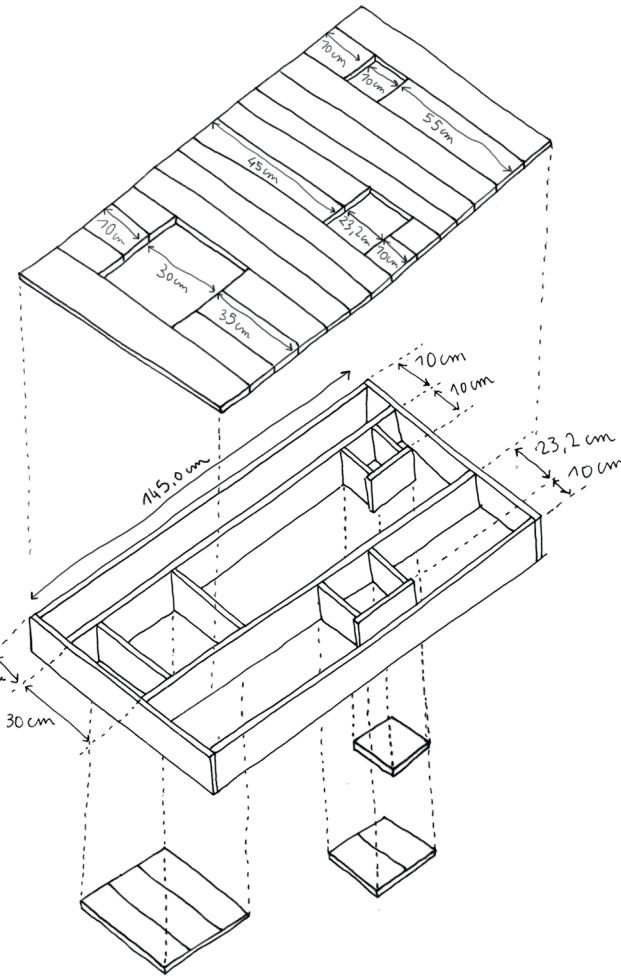
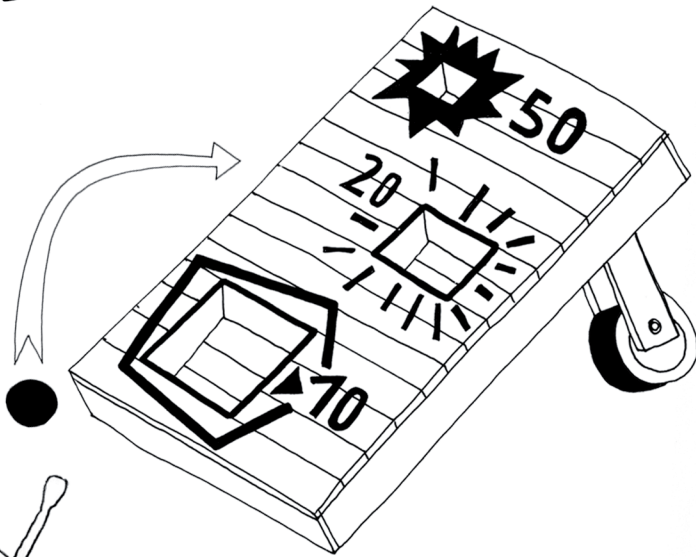
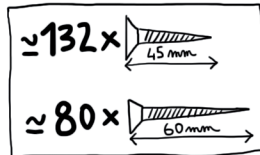
30cm x5

23,2cm x5

12cm x1

10cm x15

MEET THE HOLE!



2

1

2

TRANSFORMATION INTO A TABLE:





# Games Tables

## LABYRINTH

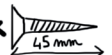
145,0 cm x 2

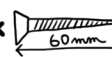
75 cm x 16

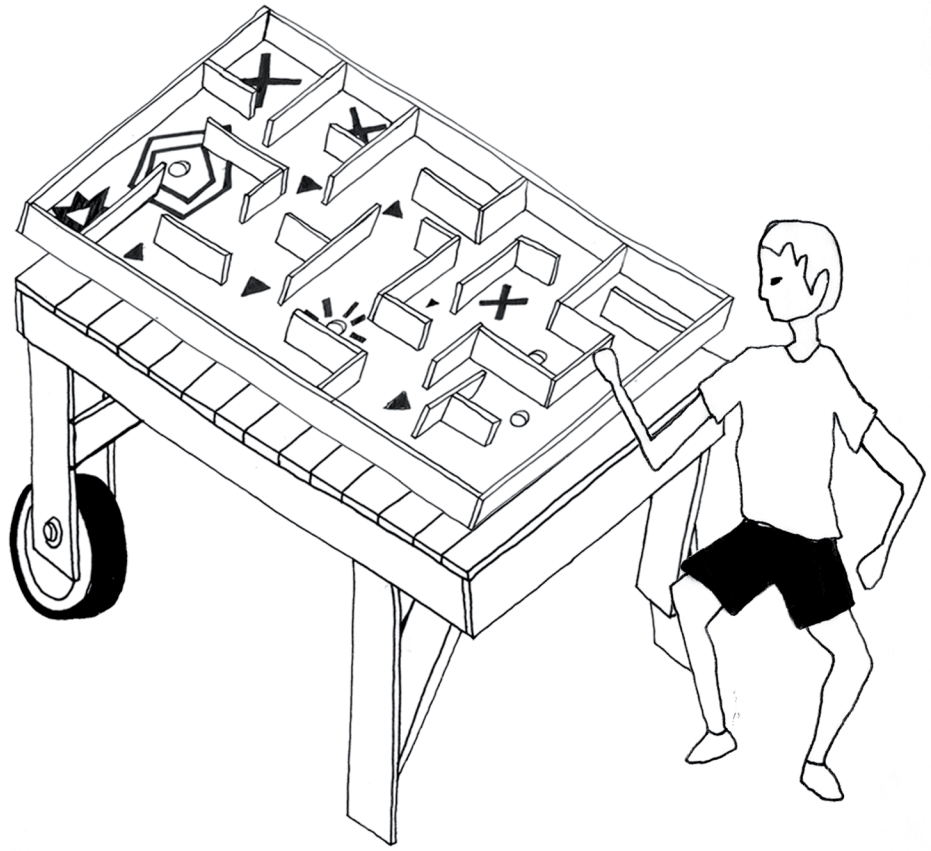
30 cm x 8

25 cm x 20

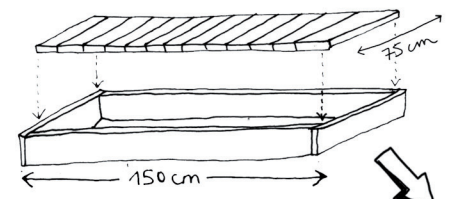
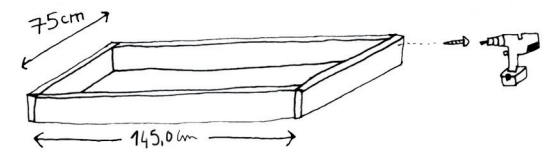
10 cm x 20

≈ 80 x 

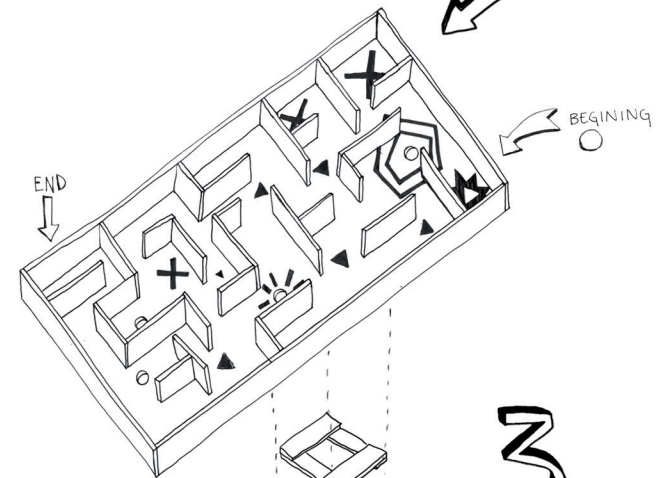
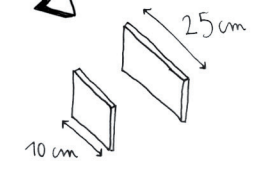
≈ 62 x 



1



2



3

